



Product designation  
Product type designation

Power contactor  
BF09

**Contact characteristics**

Number of poles	Nr.	4
Rated insulation voltage U <sub>i</sub> IEC/EN	V	690
Rated impulse withstand voltage U <sub>imp</sub>	kV	6
Operational frequency	min	Hz 25
	max	Hz 400
IEC Conventional free air thermal current I <sub>th</sub>	A	25
Operational current I <sub>e</sub>	AC-1 (=40°C)	A 25
	AC-1 (=55°C)	A 20
	AC-1 (=70°C)	A 18
	AC-3 (=440V =55°C)	A 9
	AC-4 (400V)	A 4.9
Rated operational power AC-1 (T=40°C)	230V	kW 9.5
	400V	kW 16
	500V	kW 21
	690V	kW 27
IEC max current I <sub>e</sub> in DC1 with L/R = 1ms with 1 poles in series	=24V	A 15
	48V	A 13
	75V	A 12
	110V	A 6
	220V	A –
IEC max current I <sub>e</sub> in DC1 with L/R = 1ms with 2 poles in series	=24V	A 18
	48V	A 18
	75V	A 17
	110V	A 12
	220V	A 1
IEC max current I <sub>e</sub> in DC1 with L/R = 1ms with 3 poles in series	=24V	A 20
	48V	A 20
	75V	A 20
	110V	A 15
	220V	A 10
IEC max current I <sub>e</sub> in DC1 with L/R = 1ms with 4 poles in series	=24V	A 20
	48V	A 20
	75V	A 20
	110V	A 16
	220V	A 12

IEC max current I<sub>e</sub> in DC3-DC5 with L/R = 15ms with 1 poles in series

=24V	A	10
48V	A	9
75V	A	8
110V	A	2
220V	A	–

IEC max current I<sub>e</sub> in DC3-DC5 with L/R = 15ms with 2 poles in series

=24V	A	13
48V	A	11
75V	A	10
110V	A	7
220V	A	2

IEC max current I<sub>e</sub> in DC3-DC5 with L/R = 15ms with 3 poles in series

=24V	A	15
48V	A	15
75V	A	13
110V	A	11
220V	A	6

IEC max current I<sub>e</sub> in DC3-DC5 with L/R = 15ms with 4 poles in series

=24V	A	15
48V	A	15
75V	A	15
110V	A	12
220V	A	7

Short-time allowable current for 10s (IEC/EN60947-1)

A	150
---	-----

Protection fuse

gG (IEC)	A	25
aM (IEC)	A	10

Making capacity (RMS value)

A	90
---	----

Breaking capacity at voltage

440V	A	72
500V	A	72
690V	A	71

Resistance per pole (average value)

m?	2.5
----	-----

Power dissipation per pole (average value)

I <sub>th</sub>	W	1.6
AC3	W	0.2

Tightening torque for terminals

min	Nm	1.5
max	Nm	1.8
min	I <sub>bin</sub>	1.1
max	I <sub>bin</sub>	1.5

Tightening torque for coil terminal

min	Nm	0.8
max	Nm	1
min	I <sub>bin</sub>	0.8
max	I <sub>bin</sub>	0.74

Max number of wires simultaneously connectable

Nr.	2
-----	---

Conductor section

AWG/Kcmil

max	10
-----	----

Flexible w/o lug conductor section

min	mm <sup>2</sup>	1
-----	-----------------	---

		max	mm <sup>2</sup>	6
Flexible c/w lug conductor section		min	mm <sup>2</sup>	1
		max	mm <sup>2</sup>	4
Flexible with insulated spade lug conductor section		min	mm <sup>2</sup>	1
		max	mm <sup>2</sup>	4
Power terminal protection according to IEC/EN 60529				IP20 when wired
<b>Mechanical features</b>				
Operating position		normal allowable		Vertical plan ±30°
Fixing				Screw / DIN rail 35mm
Weight			g	502
Conductor section	AWG/kcmil conductor section			
		max		10
<b>Operations</b>				
Mechanical life			cycles	20000000
Electrical life			cycles	2000000
<b>Safety related data</b>				
Performance level B10d according to EN/ISO 13489-1		rated load mechanical load	cycles	2000000
			cycles	20000000
Mirror contacts according to IEC/EN 60947-4-1				yes
EMC compatibility				yes
<b>DC coil operating</b>				
DC rated control voltage			V	24
DC operating voltage	pick-up	min	%Us	80
		max	%Us	110
	drop-out	min	%Us	10
		max	%Us	40
Average coil consumption =20°C		in-rush holding	W	2.4
			W	2.4
<b>Max cycles frequency</b>				
Mechanical operation			cycles/h	3600
<b>Operating times</b>				
Average time for Us control in AC	Closing NO	min	ms	8
		max	ms	24
	Opening NO	min	ms	10
		max	ms	20
	Closing NC	min	ms	14
		max	ms	28
	Opening NC			

		min	ms	7
		max	ms	18
in DC				
	Closing NO	min	ms	75
		max	ms	91
	Opening NO	min	ms	15
		max	ms	19

**UL technical data**

Full-load current (FLA) for three-phase AC motor

at 480V	A	7.6
at 600V	A	0.375

Yielded mechanical performance

for single-phase AC motor

110/120V	HP	0.75
230V	HP	2

for three-phase AC motor

200/208V	HP	3
220/230V	HP	3
460/480V	HP	5
575/600V	HP	7.5

General USE

Contactor

AC current	A	25
------------	---	----

Short-circuit protection fuse, 600V

High fault

Short circuit current	kA	100
Fuse rating	A	30
Fuse class		J

Standard fault

Short circuit current	kA	5
Fuse rating	A	60

**Ambient conditions**

Temperature

Operating temperature

min	°C	-50
max	°C	70

Storage temperature

min	°C	-60
max	°C	80

Max altitude

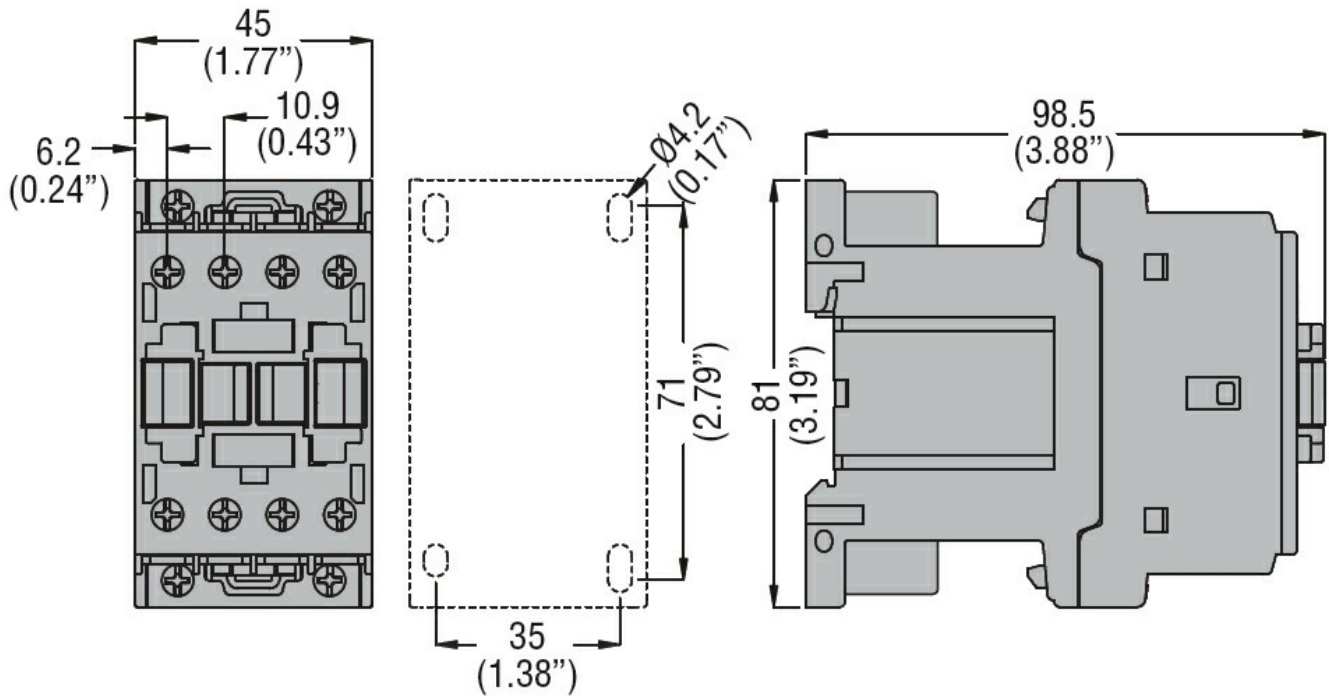
m	3000
---	------

**Resistance & Protection**

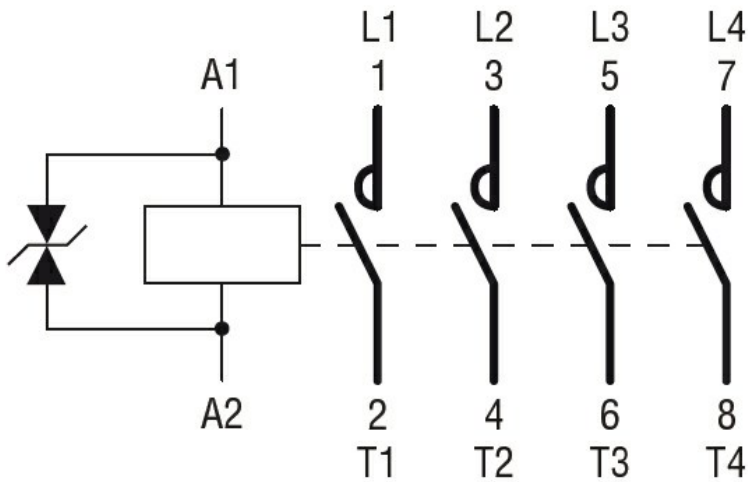
Pollution degree

3

**Dimensions**



### Wiring diagrams



### Certifications and compliance

#### Compliance

CSA C22.2 n° 60947-1  
CSA C22.2 n° 60947-4-1  
IEC/EN/BS 60947-1  
IEC/EN/BS 60947-4-1  
UL 60947-1  
UL 60947-4-1

#### Certificates

CCC  
cULus  
EAC

### ETIM classification

ETIM 8.0

EC000066 -  
Power contactor,  
AC switching